

RF Mixer RFMXF505-358



Features:

- Wide bandwidth
- Low Conversion loss
- Good IF bandwidth
- Economical
- Small & Rigid design

Description:

The RFXF505-248 is a general purpose passive mixer. Operating over the RF bandwidth of 5 MHz to 2.4 GHz. The RFXF mixer has very low conversion loss & high isolation to both RF & IF ports.

Applications:

- PCS
- Line of sight links
- WIFI
- Bluetooth
- VSAT
- ISM

Optional Accessories:

- SMA(M) to SMA(M) Adapter
- 50 Ohms cable as per User's requirement (L) (Figure. 1)

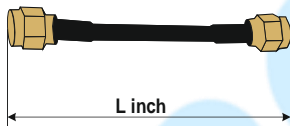


Figure 1

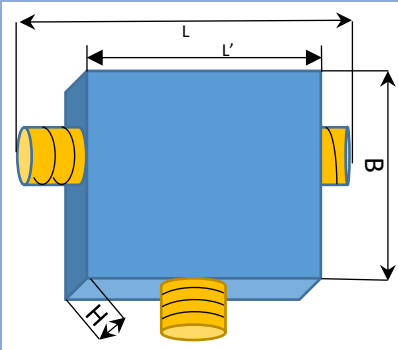
Kit Available:

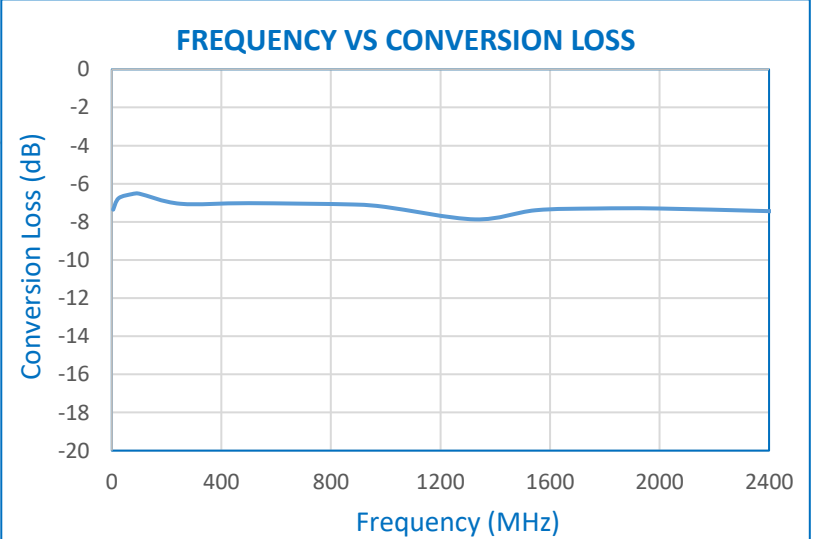
- Antenna kit
- Directional coupler kit
- Filter Kit
- Adapter Kit
- Attenuator Kit
- Communication Kit
- RF Standard Kit up to 6 GHz

Electrical Specifications:

Frequency Range:	5 MHz to 2.4 GHz
Conversion Loss:*	-6 dB ± 2 dB (@ RF & IF ± 3 dB)
Input Power:	
RF:	+15 dBm (Max.)
LO:	+10 dBm (Max.)
Isolation:	
LO - RF:	Min 18 dB
LO - IF:	Min 17 dB
IP3:	Typical 18 dBm
Operating temperature:	0 °C to 50 °C
In/Out Connector:	SMA (F)

Mechanical Specifications:

Dimension (mm):	 <p>(L) = 61.5 (L') = 42.5 (B) = 33.4 (H) = 16.9</p>
Shape:	Rectangular Cuboid Shape
Weight:	55 gm



A.* Electrical specification and Performance data contained in this specification document are based on RFME's applicable established test performance criteria and measurement instruction.
B. The parts covered by this specification document are subject to RFME standard limited warranty and terms & conditions.